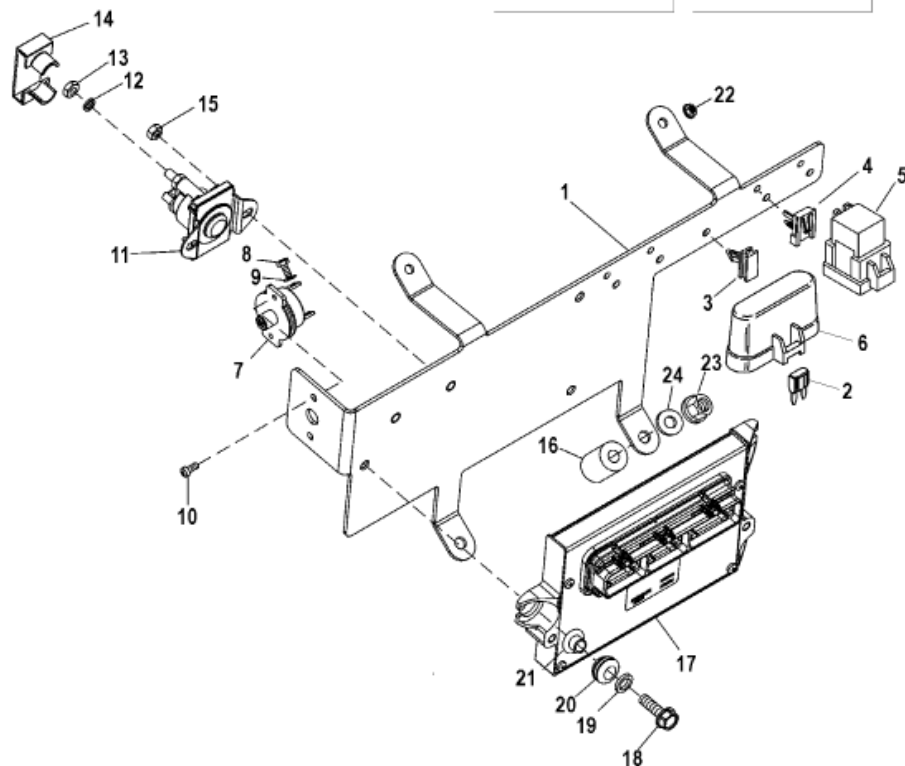


DESIGN-I



DESIGN-II



4824

Parts List

Ref	Class	Part	Description	Qty	Comment	Footnote
NS	84	863084T 1	HARNES, Wiring (EFI)	1	(Mechanical Throttle/Shift) SN# 01	
NS	84	863934T01	HARNES, Wiring (Integrated EFI)	1	(Mechanical Throttle and Shift) SN	
NS	84	865457A02	HARNES, Wiring (Base-Integrated	1	(Mechanical Throttle and Shift) S	
NS	84	865457A02	HARNES, Wiring (H.O.-Integrated	1	(Mechanical Throttle and Shift) SN	
NS	84	863935T01	HARNES, Wiring (Integrated EFI)	1	(Digital Throttle and Shift) SN# 0M	
NS	84	865458A01	HARNES, Wiring (Integrated EFI)	1	(Digital Throttle and Shift) SN# 0M	
1		862539T	MOUNTING BRACKET, PCM	1	(Use with Design-I Ignition Coil) S	
1		862539T01	MOUNTING BRACKET, PCM	1	(Use with Design-II Ignition Coil) S	
2	88	832969 20	FUSE, Yellow - 20 Ampere	3		
3	54	804351	CLIP, Fuse Block Mounting	1		
4	54	804352	CLIP, Relay Mounting	3		
5		807057T	RELAY	3	(Mechanical Throttle and Shift)	
5		807057T	RELAY	4	(Digital Throttle and Shift)	
6		883562	COVER, Fuse	1		
7	88	806950	CIRCUIT BREAKER, (50 Ampere)	1		
8	10	68513	SCREW, (#10-32 x .375)	2		
9	13	26996	LOCKWASHER, (#10), Split Lock	2		
10	10	57583	SCREW, (#8-32 x .375)	2		
11	89	96158T	SOLENOID	1		
NS	11	26419	NUT, (#8-32)	2		
NS	13	26996	LOCKWASHER, (#10), Split Loc	2		
12	13	26992	LOCKWASHER, (.250), Split Lock	2		
13	11	94330	NUT, (.250-20)	2		
14	85	97861	INSULATOR, Solenoid	1		
15	11	40021 2	NUT, (M6)	2		
16	23	862995	SPACER	1		
17		863618T 7	PCM (Base)	1	(Mechanical Throttle and Shift) SN	
17		865364T01	PCM (Base)	1	(Mechanical Throttle and Shift) SN	
17		863784T01	PCM (Base)	1	(Digital Throttle and Shift) SN# 0M	
17		863784T03	PCM (Base)	1	(Digital Throttle and Shift) SN# 0M	
17		863619T 7	PCM (H.O.)	1	(Mechanical Throttle and Shift) SN	
17		865366T01	PCM (H.O.)	1	(Mechanical Throttle and Shift) SN	
17		863785T02	PCM (H.O.)	1	(Digital Throttle and Shift) SN# 0M	
18	10	821300 25	SCREW, (M6 x 25)	3		
19	23	856954	BUSHING, Electrical Plate	3		
20	25	834985	GROMMET	3		
21	12	65567	WASHER, (.265 x .750 x .048)	3		
22	11	40020 30	NUT, (M8)	2		
23	11	863289	NUT	2		
24	12	12038	WASHER	2		